

THIS DRAWING IS UNPUBLISHED.

RELEASED FOR PUBLICATION NOV , 2005.

© COPYRIGHT 2005 By -

ALL RIGHTS RESERVED.

LOC E	DIST B	REVISIONS		
P	LTR	DESCRIPTION	DATE	DWN
	D	ECR-14-019277	30DEC2014	APVD MY

NOTES:

1 SINGLE PACKING: ONE CONNECTOR PER LABELED BAG PACKAGED. LABELED PER TEC-107-115

2 TRAY PACKAGED

3 Ag PLATING

4 WHITE BRONZE PLATING

5 ELECTRICAL CHARACTERISTICS

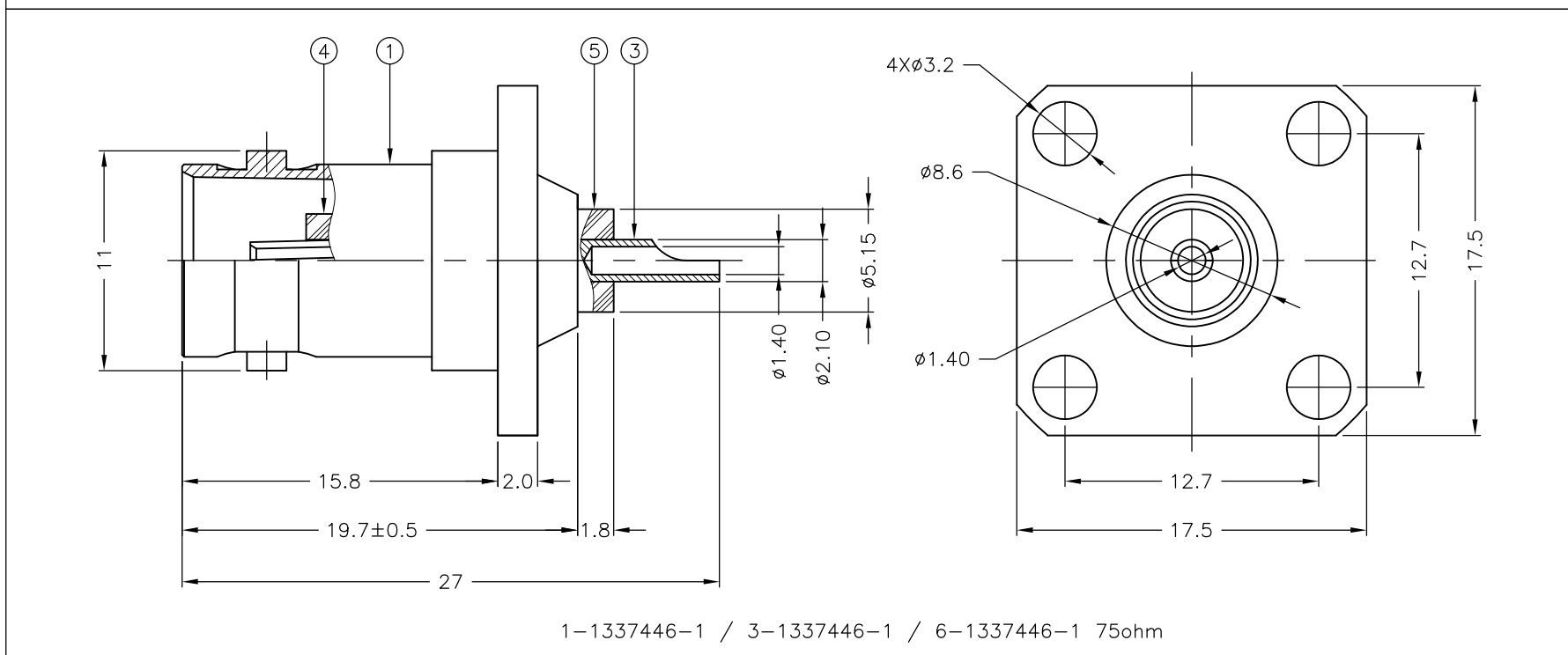
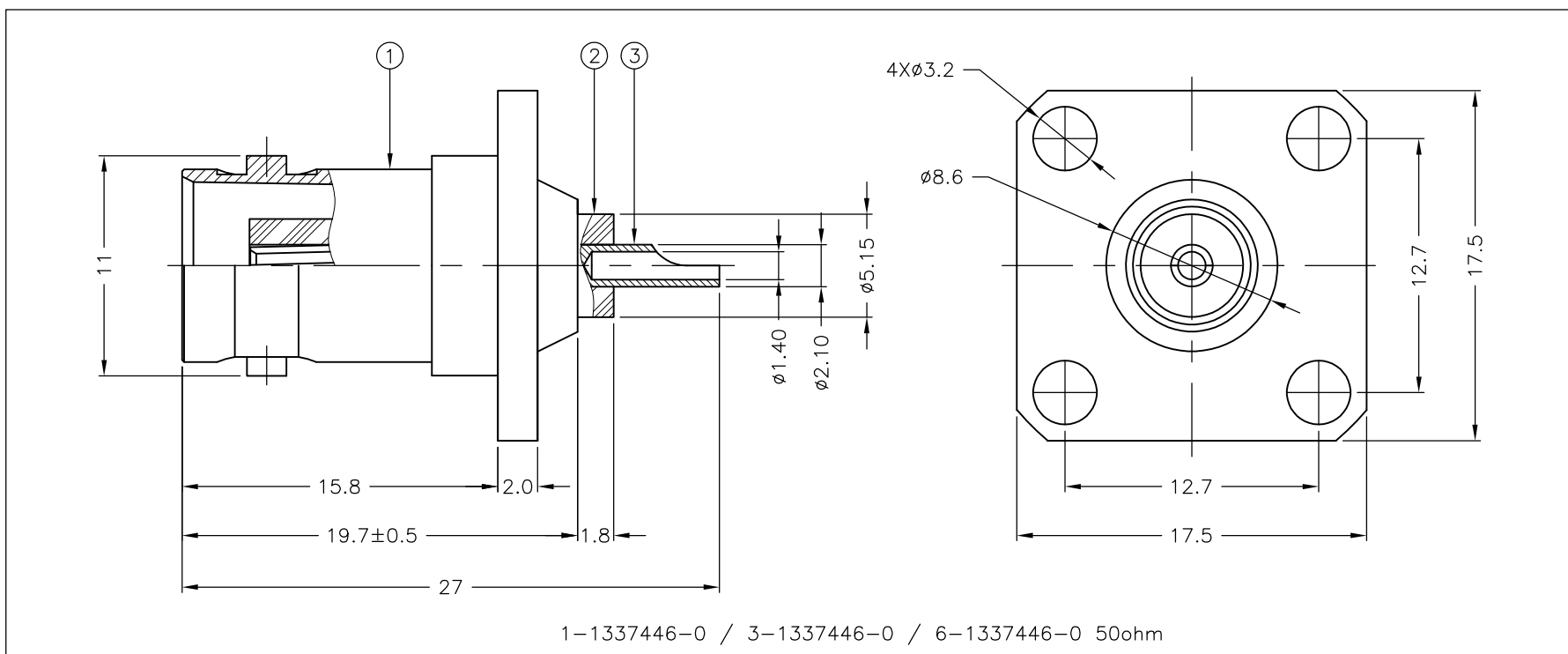
FREQUENCY RANGE:	DC - 2 GHz
NOMINAL IMPEDANCE:	50 & 75 Ohm
INSULATION RESISTANCE:	5000 MOhm
WORKING VOLTAGE:	500 Volts RMS at Sea Level
DIELECTRIC WITHSTAND VOLTAGE:	1000 Volts RMS Max
CONTACT RESISTANCE:	
CENTER CONTACT:	1.50 mOhm Max
OUTER CONTACT:	1.00 mOhm Max
VSWR @ 2GHz:	1.35 Max

6 MECHANICAL CHARATERISTICS

DURABILITY: 500 Cycles Min

7 ENVIRONMENTAL CHARACTERISTICS

OPERATING TEMPERATURE: -40 to +85 DegC



1	1	1	-	-	-	PTFE	INSULATION	5
1	1	1	-	-	-	PTFE	INSULATION	4
1	1	1	1	1	1	PHOSPHOR BRONZE	CONTACT	3
-	-	-	1	1	1	PTFE	INSULATION	2
1	-	-	1	-	-	BRASS	BODY	1
-	1	1	-	1	1	BRASS	BODY	1
3--1	6--1	1--1	3--0	6--0	1--0	MATERIAL	DESCRIPTION	ITEM
△	△	△	△	△	△			
QUANTITY PER ASSY							PARTS LIST	

THIS DRAWING IS A CONTROLLED DOCUMENT.		DWN J.SANDWELL 26NOV05	TE Connectivity	
DIMENSIONS: mm		CHK S.PARLOW 26NOV05		
TOLERANCES UNLESS OTHERWISE SPECIFIED:		APVD F.WHEELER-KING 26NOV05	NAME BNC PANEL SOCKET 50 OHM & 75 OHM	
		PRODUCT SPEC	-	
MATERIAL SEE TABLE		FINISH -	-	
		APPLICATION SPEC	-	
		WEIGHT -	SIZE A3	CAGE CODE 00779
			DRAWING NO C-1337446	RESTRICTED TO -
		CUSTOMER DRAWING		SCALE NTS
		SHEET 1 OF 1		REV D